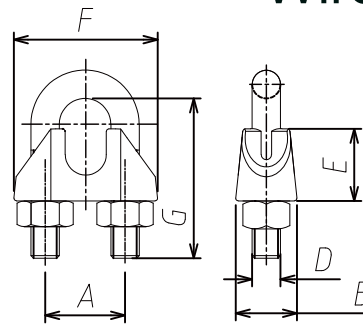


WIRE ROPE CLIP

Leading The Way Of Precision Manufacturing

1. DIN741 Wire Rope Clip

- Process: Casting
- Material: Malleable Iron
- Surface: Hot Dip Galvanized or Zinc Plating

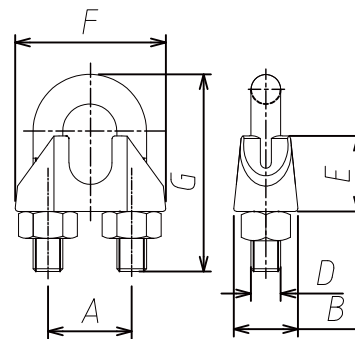


Part NO.	Size (mm)	Weight 100pcs (kg)	Dimensions(mm)					
			A	B	D	E	F	G
TKR0903	3	1.4	9	10	4	10	21	16
TKR0904	5	1.5	11	11	5	10	23	19
TKR0905	6.5	2.1	13	12	5	11	26	23
TKR0906	8	4.1	16	14	6	15	30	26
TKR0907	10	6.8	19	18	8	17	34	34
TKR0908	11	7.2	20	19	8	18	36	36
TKR0909	13	12	24	23	10	21	42	45
TKR0910	14	13.5	25	23	10	22	44	47
TKR0911	16	21	29	26	12	26	50	51
TKR0912	19	28	32	29	12	30	54	63
TKR0913	22	40	37	33	14	34	61	71
TKR0914	26	44	41	35	14	37	65	81
TKR0915	30	66	48	37	16	43	74	94
TKR0916	34	85	52	42	16	50	80	104
TKR0917	40	104	58	45	16	55	88	124



2. DIN1142 Wire Rope Clip

- Process: Casting
- Material: Malleable Iron
- Surface: Hot Dip Galvanized or Zinc Plating



Part No.	Rope Size(mm)	Weight 100pcs (kg)	Dimensions(mm)					
			A	B	D	E	F	G
TKR0918	5	2.08	12	13	5	13	25	20
TKR0919	6.5	4	14	16	6	14	30	26
TKR0920	8	8.2	18	20	8	18	39	33
TKR0921	10	9.2	20	20	8	21	40	38
TKR0922	13	27.5	27	28	12	29	55	52
TKR0923	16	43	32	32	14	35	64	64
TKR0924	19	49	36	32	14	40	68	69
TKR0925	22	68	40	34	16	44	74	80
TKR0926	26	117	46	38	20	51	84	91
TKR0927	30	140	54	41	20	59	95	107
TKR0928	34	213	58	45	22	67	105	119
TKR0929	40	268	68	49	24	77	117	135



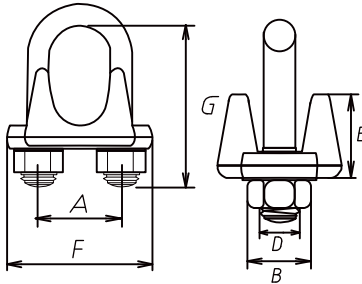
Wire Rope Clip

3.US Type G450 Wire Rope Clip

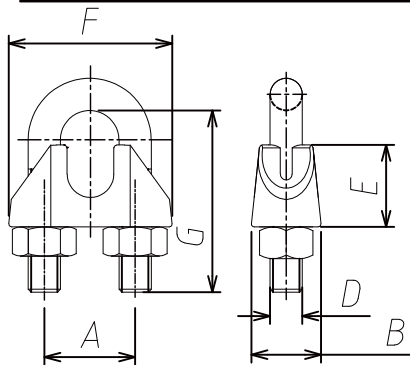
Process: Forging ■

Material: Carbon Steel ■

Surface: Hot Dip Galvanized or Zinc Plating ■



Part No.	Rope Size (in.)	Weight 100pcs (lbs.)	Dimensions (in.)					
			A	B	D	E	F	G
TKR0930	1/8	6	0.47	0.81	0.22	0.37	0.81	0.72
TKR0931	3/16	10	0.59	0.94	0.25	0.5	0.94	0.97
TKR0932	1/4	19	0.75	1.19	0.31	0.66	1.19	1.03
TKR0933	5/16	28	0.88	1.31	0.38	0.73	1.31	1.38
TKR0934	3/8	48	1	1.63	0.44	0.91	1.63	1.5
TKR0935	7/16	78	1.19	1.91	0.5	1.13	1.91	1.88
TKR0936	1/2	80	1.19	1.91	0.5	1.13	1.91	1.88
TKR0937	9/16	109	1.31	2.06	0.56	1.34	2.06	2.25
TKR0938	5/8	110	1.31	2.06	0.56	1.34	2.06	2.25
TKR0939	3/4	142	1.5	2.25	0.62	1.39	2.25	2.75
TKR0940	7/8	212	1.75	2.44	0.75	1.58	2.44	3.12
TKR0941	1	252	1.88	2.63	0.75	1.77	2.63	3.5
TKR0942	1-1/8	283	2	2.81	0.75	1.91	2.81	3.88
TKR0943	1-1/4	438	2.34	3.13	0.88	2.17	3.13	4.44
TKR0944	1-3/8	442	2.31	3.13	0.88	2.31	3.13	4.44
TKR0945	1-1/2	544	2.59	3.41	0.88	2.44	3.41	4.94
TKR0946	1-5/8	704	2.75	3.63	1	2.66	3.63	5.31
TKR0947	1-3/4	934	3.06	3.81	1.13	2.92	3.81	5.75
TKR0948	2	1300	3.38	4.44	1.25	3.03	4.44	6.44
TKR0949	2-1/4	1600	3.88	4.56	1.25	3.19	4.56	7.13
TKR0950	2-1/2	1900	4.13	4.69	1.25	3.69	4.69	7.69
TKR0951	2-3/4	2300	4.38	5	1.25	4.88	5	8.31
TKR0952	3	3100	4.75	5.31	1.5	4.44	5.31	9.19
TKR0953	3-1/2	4000	5.5	6.19	1.5	6	6.19	10.75



4.US Type Malleable Wire Rope Clip

Process: Casting ■

Material: Malleable Iron ■

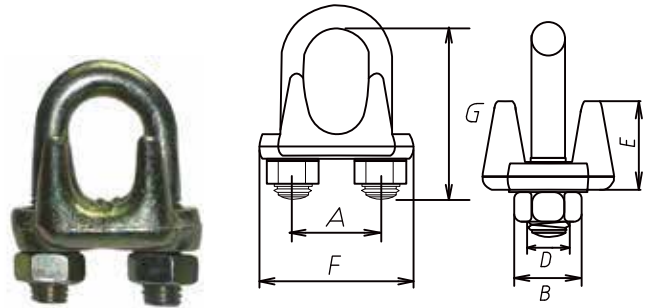
Surface: Hot Dip Galvanized or Zinc Plating ■



Part No.	Rope Size (in.)	Weight 100pcs (lbs.)	Dimensions(mm)						
			A	B	C	D	E	F	G
TKR0954	1/8	1.5	11.00	14.00	14.00	10-24	10.80	22.00	20.00
TKR0955	3/16	3	13.50	15.00	16.00	1/4-20	13.00	26.00	24.00
TKR0956	1/4	5.18	17.00	18.50	20.00	5/16-18	15.00	32.00	31.50
TKR0957	5/16	5.95	18.30	20.00	22.00	5/16-18	16.00	35.00	34.00
TKR0958	3/8	10.01	22.50	22.00	27.00	3/8-16	22.00	40.50	41.80
TKR0959	7/16	11.43	24.00	23.00	30.00	3/8-16	22.00	43.00	42.80
TKR0960	1/2	17.42	27.00	26.00	35.00	7/16-14	23.30	49.00	53.90
TKR0961	9/16	22.56	30.00	26.50	40.00	1/2-13	27.00	52.50	54.70
TKR0962	5/8	24.84	33.00	28.50	40.00	1/2-13	28.00	57.50	59.20
TKR0963	3/4	36.53	34.50	32.00	42.00	6/19-12	34.00	31.00	68.70
TKR0964	7/8	53.23	41.00	37.00	46.00	5/8-11	38.00	71.00	78.00
TKR0965	1	68.32	45.50	42.00	55.00	5/8-11	43.00	77.50	87.50

5.Type A Wire Rope Clip

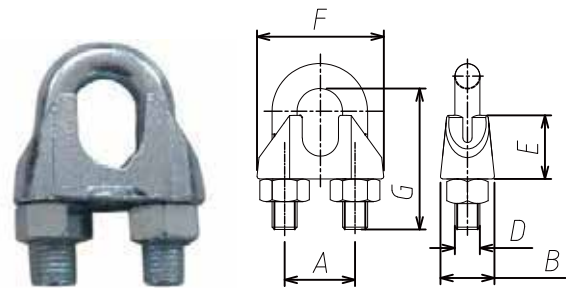
- Process: Casting
- Material: Malleable Iron
- Surface: Hot Dip Galvanized
- or Zinc Plating



Part No.	Rope Size (mm)	Weight 100pcs (kg)	Dimensions(mm)					
			A	B	D	E	F	G
TKR0966	5	2.08	12	13	5	13	25	20
TKR0967	6.5	4	14	16	6	14	30	26
TKR0968	8	8.2	18	20	8	18	39	33
TKR0969	10	9.2	20	20	8	21	40	38
TKR0970	13	27.5	17	28	12	29	55	52
TKR0971	16	43	32	32	14	35	64	64
TKR0972	19	49	36	32	14	40	68	69
TKR0973	22	68	40	34	16	44	74	870
TKR0974	26	117	46	38	20	51	84	91
TKR0975	30	140	54	41	20	59	95	107
TKR0976	34	213	60	45	22	67	105	119
TKR0977	40	268	68	49	24	77	117	135

6.Type B Wire Rope Clip

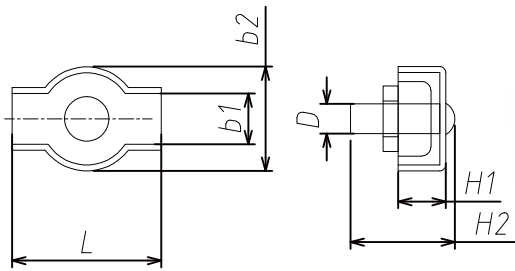
- Process: Casting
- Material: Malleable Iron
- Surface: Hot Dip Galvanized
- or Zinc Plating



Part No.	Rope Size (mm)	Weight 100pcs (kg)	Dimensions(mm)					
			A	B	D	E	F	G
TKR0978	3	1.17	9	12	4	9.5	19	20
TKR0979	5	1.7	11	13.5	5	10.8	22	26
TKR0980	6.5	2.53	12.5	15.5	5	11.5	25	26
TKR0981	8	3.8	15.5	18	6	16	31	31
TKR0982	10	7.93	21	22	8	20	40	37
TKR0983	13	14.4	25	25	10	26	47	46
TKR0984	16	23.08	30	28	12	31	55	57
TKR0985	17.5	26.8	33	28.5	12	35	58.5	64
TKR0986	19	44.3	36.5	31	16	36	65	71
TKR0987	22	57	40	36	16	43	72	77
TKR0988	26	88.43	45	40	20	48	80	88

Wire Rope Clip

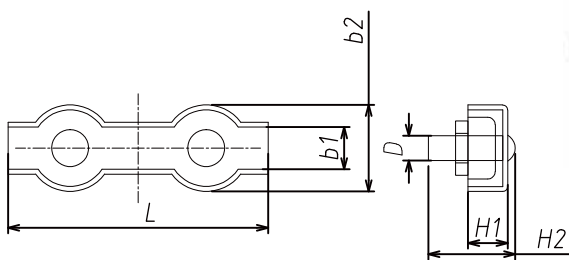
7.Simple Wire Rope Clip



Process: Stamping ■
 Material: Carbon Steel or Stainless Steel ■
 Surface: Zinc Plating or Polishing ■

Part No.	Rope Size (mm)	Dimensions(mm)					
		b1	b2	d	h1	h2	L
TKR0989	2	4	12	M4	5	14	15
TKR0990	3	6	14	M4	7	14	17
TKR0991	4	8	18	M5	7	18	20
TKR0992	5	10	20	M5	8	18	25
TKR0993	6	12	24	M6	9	23	30
TKR0994	8	17	30	M8	13	25	37

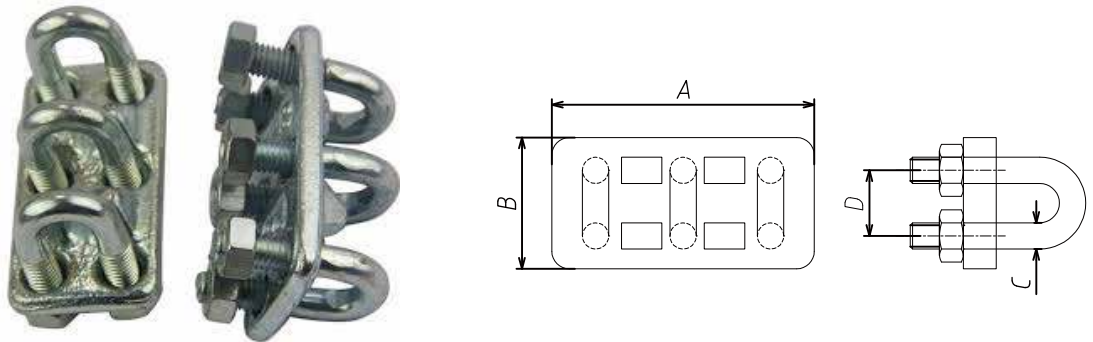
8.Duplex Wire Rope Clip



Process: Stamping ■
 Material: Carbon Steel or Stainless Steel ■
 Surface: Zinc Plating or Polishing ■

Part No.	MIN-MAX SIZE (mm)	Dimensions(mm)					
		b1	b2	d	h1	h2	L
TKR0995	2	4	12	M4	5	14	30
TKR0996	3	6	14	M4	7	14	35
TKR0997	4	8	18	M5	7	18	40
TKR0998	5	10	20	M5	8	18	50
TKR0999	6	12	24	M6	9	23	60
TKR1000	8	17	30	M8	13	25	75
TKR1001	10	21	35	M10	16	32	95

9. Triple Wire Rope Clip

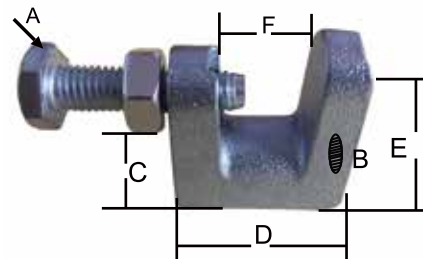


- Process: Forging
- Material: Carbon Steel
- Surface: Hot Dip Galvanized or Zinc Plating

Part No.	Size (mm)	Weight (kg)	Dimensions(mm)			
			A	B	C	D
TKR1014	6	0.15	67.5	30.5	5	9
TKR1015	8	0.2	67.5	34	7	10

10. Beam Clamp

- Process: Casting
- Material: Malleable Iron
- Surface: Hot Dip Galvanized or Zinc Plating



Part No.	Open size (mm)	Size A (mm)	Weight (kg)	Dimensions(mm)				
				B	C	D	E	F
TKR1016	18	M6	0.087	M6	35	37	33	18
TKR1017	18		0.097		36	38	35	19
TKR1018	20		0.14		40	44	40	20
TKR1019	25		0.16		42	45	41	20
TKR1020	18	M8	0.08	M8	35	37	33	18
TKR1021	18		0.9		36	38	35	19
TKR1022	20		0.137		40	44	40	20
TKR1023	20		0.15		42	45	41	20
TKR1024	25	0.17	46	45	44	25		
TKR1025	20	M10	0.13	M10	40	44	40	20
TKR1026	20		0.143		42	45	41	20
TKR1027	25		0.161		46	415	44	25
TKR1028	28		0.237		54	58	48	28
TKR1029	25	M12	0.154	M12	46	45	44	25
TKR1030	28		0.23		54	58	48	28