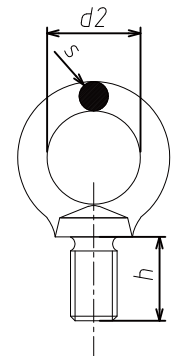


# EYE BOLT

Leading The Way Of Precision Manufacturing

### 1. JIS 1168 Eye Bolt

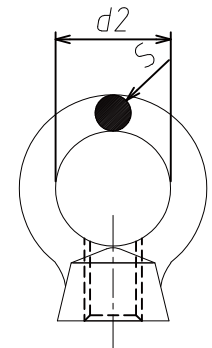
Process: Forging  
 Material: Carbon Steel  
 Surface: Yellow Zinc Plating



Part No.	Size (mm)	WLL (t)	Weight (kg)	Dimensions(mm)		
				s	d2	h
TKR0526	M8	0.08	0.03	6.3	20	15
TKR0527	M10	0.15	0.06	8	25	18
TKR0528	M12	0.22	0.12	10	30	22
TKR0529	M16	0.45	0.22	12.5	35	27
TKR0530	M20	0.63	0.4	16	40	30
TKR0531	M24	0.95	0.8	20	50	38
TKR0532	M30	1.5	1.54	25	60	45
TKR0533	M36	2.3	2.83	31.5	70	55
TKR0534	M42	3.4	4.1	35.5	80	65
TKR0535	M48	4.5	5.88	40	90	70
TKR0536	M64	9	11.6	50	110	90

### 2. JIS 1169 Eye Nut

Process: Forging  
 Material: Carbon Steel  
 Surface: Yellow Zinc Plating



Part No.	Size (mm)	WLL (kg)	Weight (kg)	Dimensions(mm)	
				d2	S
TKR0537	M8	0.08	0.026	20	6.3
TKR0538	M10	0.15	0.064	25	8
TKR0539	M12	0.22	0.125	30	10
TKR0540	M16	0.45	0.223	35	12.5
TKR0541	M20	0.63	0.39	40	16
TKR0542	M24	0.95	0.85	50	20
TKR0543	M30	1.5	1.75	60	25
TKR0544	M36	2.3	3	70	31.5
TKR0545	M42	3.4	4.65	80	35.5
TKR0546	M48	4.5	6.6	90	40
TKR0547	M64	9	13.8	110	50

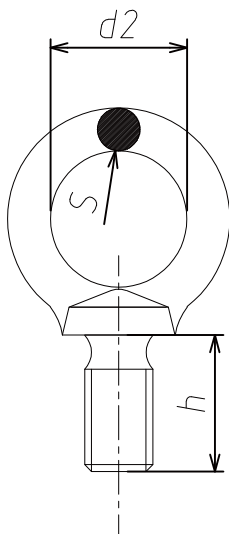
# Eye bolt

## 3.DIN 580 EYE BOLT

Process: Forging

Material: Carbon Steel

Surface: Hot Dip Galvanized or Zinc Plating



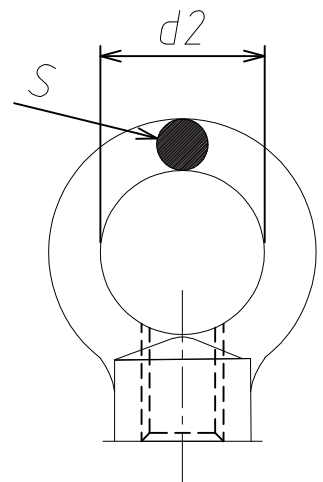
Part No.	Size (mm)	WLL (t)	Weight (kg)	Dimensions(mm)		
				d2	h	s
TKR0548	M6	0.14	0.060	16	13	6
TKR0549	M8	0.14	0.060	20	15	8
TKR0550	M10	0.23	0.110	25	18	10
TKR0551	M12	0.34	0.170	30	22	12
TKR0552	M14	0.49	0.190	35	28	14
TKR0553	M16	0.7	0.280	35	28	14
TKR0554	M20	1.2	0.450	40	30	16
TKR0555	M22	1.5	0.490	45	35	18
TKR0556	M24	1.8	0.880	50	38	20
TKR0557	M27	2.5	0.930	50	38	20
TKR0558	M30	3.6	1.600	60	45	24
TKR0559	M33	4.3	1.725	60	45	24
TKR0560	M36	5.1	2.670	70	55	28
TKR0561	M39	6.1	2.806	70	55	28
TKR0562	M42	7	4.036	80	65	32
TKR0563	M45	8	4.130	80	65	32
TKR0564	M48	8.6	6.700	90	70	38
TKR0565	M52	9.9	6.610	90	70	38
TKR0566	M56	11.5	8.700	100	80	42
TKR0567	M64	16	12.421	110	90	48

## 4.DIN 582 Eye Nut

Process: Forging

Material: Carbon Steel

Surface: Hot Dip Galvanized or Zinc Plating



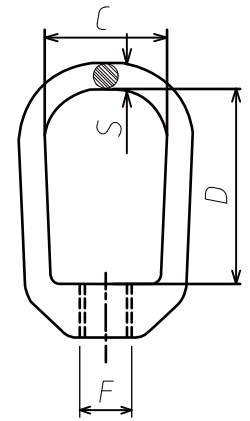
Part No.	Size (mm)	WLL (t)	Weight (kg)	Dimensions(mm)	
				d2	s
TKR0568	M6	0.14	0.050	20	8
TKR0569	M8	0.14	0.050	20	8
TKR0570	M10	0.23	0.100	25	10
TKR0571	M12	0.34	0.600	30	12
TKR0572	M14	0.49	0.150	35	14
TKR0573	M16	0.7	0.240	35	14
TKR0574	M20	1.2	0.350	40	16
TKR0575	M22	1.5	0.320	45	18
TKR0576	M24	1.8	0.750	50	20
TKR0577	M27	2.5	0.730	50	20
TKR0578	M30	3.6	1.400	60	24
TKR0579	M33	4.3	1.303	60	24
TKR0580	M36	5.1	2.200	70	28
TKR0581	M39	6.1	2.025	70	28
TKR0582	M42	7	3.100	80	32
TKR0583	M45	8	3.046	80	32
TKR0584	M48	8.6	5.030	90	38
TKR0585	M52	9.9	4.958	90	38
TKR0586	M56	11.5	6.701	100	42
TKR0587	M64	16	9.316	110	48

### 5. G400 Eye Nut

Process: Forging

Material: Carbon Steel

Surface: Hot Dip Galvanized or Zinc Plating



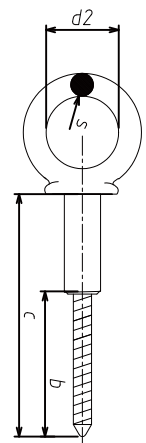
Part No.	Size (in.)	W.L.L. (kg)	Weight (t)	Dimensions(mm)			
				C	D	F	S
TKR0588	1/4	0.24	0.04	19.1	25.4	12.7	7.85
TKR0589	3/8	0.57	0.08	25.4	30.5	14.2	10.4
TKR0590	1/2	1.02	0.13	31.8	36.6	20.6	12.7
TKR0591	5/8	1.63	0.27	38.1	48.4	25.4	17.5
TKR0592	3/4	2.36	0.45	44.5	60.5	28.4	21.3
TKR0593	7/8	3.27	0.75	51	66.8	35.1	25.4
TKR0594	1	4.54	1.22	57	77.7	39.6	30.2
TKR0595	1-1/4	7.03	1.98	63.5	88.9	47.8	35.1
TKR0596	1-3/8	8.39	2.27	70	102	51	38.1
TKR0597	1-1/2	10.21	3.08	79	109	57	42.2
TKR0598	2	18.14	6.62	104	157	79.5	49.3

### 6.G275 US Type Eye Screw Bolt

Process: Forging

Material: Carbon Steel

Surface: Hot Dip Galvanized or Zinc Plating



Part No.	Size (mm)	Weight 100pcs (kg)	Dimensions(mm)			
			d2	s	b	c
TKR0599	6.35*51	1.95	12.7	4.83	38.1	51
TKR0600	7.94*57	4.49	16	6.35	42.9	57
TKR0601	9.53*63.5	8.56	19.1	7.87	47.8	63.5
TKR0602	12.7*82.5	17	25.4	9.65	62	82.5
TKR0603	15.39*102	38.8	31.8	12.7	76	102



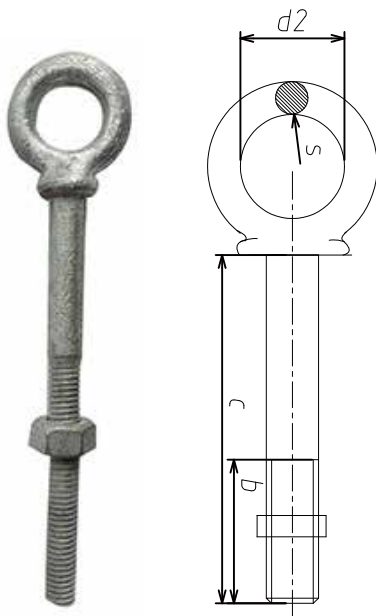
# Eye bolt

## 7.US Type G277 Screw Bolt

Process: Forging

Material: Carbon Steel

Surface: Hot Dip Galvanized or Zinc Plating



Part No.	Size (mm)	W.L.L (t)	Weight 100pcs (kg)	Dimensions(mm)			
				d2	s	b	c
TKR0604	6.35*51	0.29	2.99	12.7	4.85	38.1	74.5
TKR0605	6.35*102	0.29	4.13	12.7	4.85	63.5	125
TKR0606	7.94*57	0.54	5.67	15.7	6.35	38.1	89
TKR0607	7.94*108	0.54	8.53	15.7	6.35	63.5	140
TKR0608	9.53*63.5	0.7	9.71	19.1	7.85	38.1	101
TKR0609	9.53*114	0.7	11.50	19.1	7.85	63.5	152
TKR0610	12.7*82.5	1.18	19.30	25.4	9.65	38.1	130
TKR0611	12.7*152	1.18	25.80	25.4	9.65	76	200
TKR0612	15.9*102	2.35	31.10	31.8	12.7	51	164
TKR0613	15.9*152	2.35	46.40	31.8	12.7	76	214
TKR0614	19.1*114	3.26	66	38.1	15.7	51	189
TKR0615	19.1*152	3.26	76	38.1	15.7	76	227
TKR0616	22.2*127	4.8	102	44.5	19.1	63.5	215
TKR0617	25.4*152	6.03	166	51	22.4	76	253
TKR0618	25.4*229	6.03	192	51	22.4	102	329
TKR0619	31.8*203	9.52	295	63.5	25.4	102	323
TKR0620	31.8*305	9.52	361	63.5	25.4	102	425
TKR0621	38.1*381	10.8	646	76	31.8	152	527

## 8.US Type S279 Eye Screw Bolt

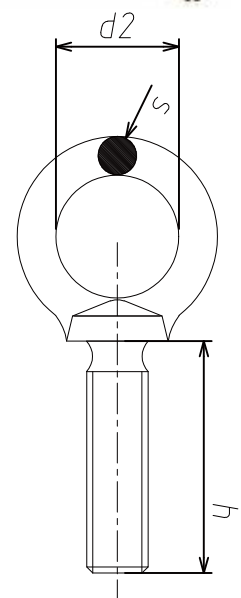
Process: Forging

Material: Carbon Steel

Surface: Hot Dip Galvanized or Zinc Plating



Part No.	Size (mm)	W.L.L (t)	Weight (kg)	Dimensions(mm)		
				h	d2	s
TKR0622	6.35*25.4	0.29	0.02	25.9	19.1	58
TKR0623	7.94*28.6	0.54	0.04	29.2	22.4	69.5
TKR0624	9.53*31.8	0.7	0.06	32.3	25.4	78
TKR0625	12.7*38.1	1.18	0.12	38.9	30.2	94
TKR0626	15.9*44.5	2.35	0.24	45.5	35.1	113
TKR0627	19.1*51	3.26	0.43	52	38.1	129
TKR0628	22.2*57	4.8	0.7	58.5	44.5	149
TKR0629	25.4*63.5	6.03	1.1	65.5	51	169
TKR0630	28.5*70	6.8	1.5	69.8	57.1	183
TKR0631	31.8*76	9.52	1.8	78.5	63.5	202
TKR0632	38.1*89	10.8	3.2	91.5	76	241
TKR0633	44.5*95	15.4	4.7	95.2	88.9	266
TKR0634	51*102	19	8.6	102	101	313
TKR0635	63.5*127	29.5	14.5	127	114	378

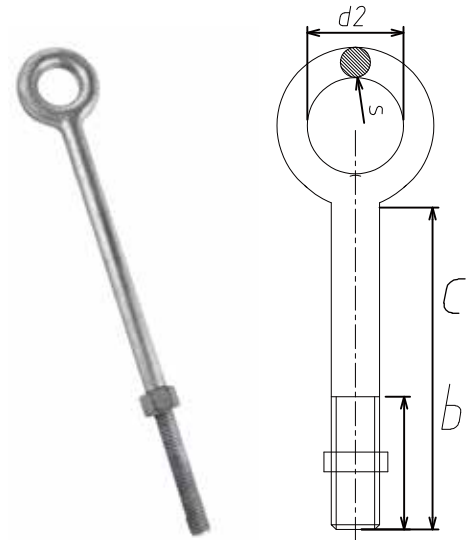


### 9.G291 US Type Eye Screw Bolt

Process: Forging

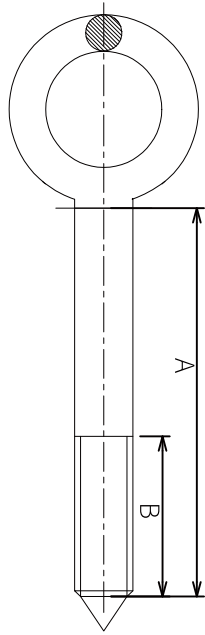
Material: Carbon Steel

Surface: Hot Dip Galvanized or Zinc Plating



Part No.	Size (mm)	W.L.L. (t)	Weight 100pcs (kg)	Dimensions(mm)			
				d2	s	b	c
TKR0636	6.35*51	0.29	3.72	12.7	6.35	38.1	77.5
TKR0637	6.35*102	0.29	5.31	12.7	6.35	63.5	129
TKR0638	7.94*57	0.54	6.03	15.7	7.85	38.1	90.5
TKR0639	7.94*108	0.54	11.3	15.7	7.85	63.5	141
TKR0640	9.53*63.5	0.7	10.6	19.1	9.65	38.1	105
TKR0641	9.53*114	0.7	13.4	19.1	9.65	63.5	155
TKR0642	9.53*152	0.7	16	19.1	9.65	63.5	194
TKR0643	12.7*82.5	1.18	22.8	25.4	12.7	38.1	137
TKR0644	12.7*152	1.18	30	25.4	12.7	76	206
TKR0645	12.7*203	1.18	37	25.4	12.7	76	257
TKR0646	12.7*254	1.18	40	25.4	12.7	76	308
TKR0647	12.7*305	1.18	52	25.4	12.7	76	359
TKR0648	15.9*102	2.35	47	31.8	15.7	51	170
TKR0649	15.9*152	2.35	54	31.8	15.7	76	221
TKR0650	15.9*203	2.35	61	31.8	15.7	76	272
TKR0651	15.9*254	2.35	70	31.8	15.7	76	322
TKR0652	15.9*305	2.35	76	31.8	15.7	102	373
TKR0653	19.1*114	3.26	76	38.1	19.1	51	195
TKR0654	19.1*152	3.26	84	38.1	19.1	76	233
TKR0655	19.1*203	3.26	94	38.1	19.1	76	284
TKR0656	19.1*254	3.26	107	38.1	19.1	76	335
TKR0657	19.1*305	3.26	117	38.1	19.1	102	386
TKR0658	19.1*381	3.26	135	38.1	19.1	127	462
TKR0659	22.2*127	4.8	122	44.5	22.4	63.5	222
TKR0660	22.2*203	4.8	140	44.5	22.4	102	298
TKR0661	22.2*305	4.8	181	44.5	22.4	102	400
TKR0662	25.4*152	6.03	191	51	25.4	76	262
TKR0663	25.4*229	6.03	213	51	25.4	102	338
TKR0664	25.4*305	6.03	245	51	25.4	102	414
TKR0665	25.4*457	6.03	295	51	25.4	178	567
TKR0666	31.8*203	9.52	340	63.5	31.8	102	340
TKR0667	31.8*305	9.52	408	63.5	31.8	102	441
TKR0668	31.8*508	9.52	549	63.5	31.8	152	645

# Eye bolt



## 10.Scaffolding eyebolt

Part No.	Size(mm)	Dimensions(mm)	
		A	B
TKR0669	12	90	23
TKR0670		120	
TKR0671		160	
TKR0672		190	
TKR0673		230	
TKR0674		300	
TKR0675		350	50
TKR0676		140	
TKR0677		160	
TKR0678		200	
TKR0679	250		
TKR0680	300		